



Smarter pipeline solutions

Introducing the new Cast Iron **Double Door Wafer Check Valves**

NOW IN-STOCK

Maximum nominal working pressure 16Bar / 230PSI.

Suited to Table E Flange configuration.

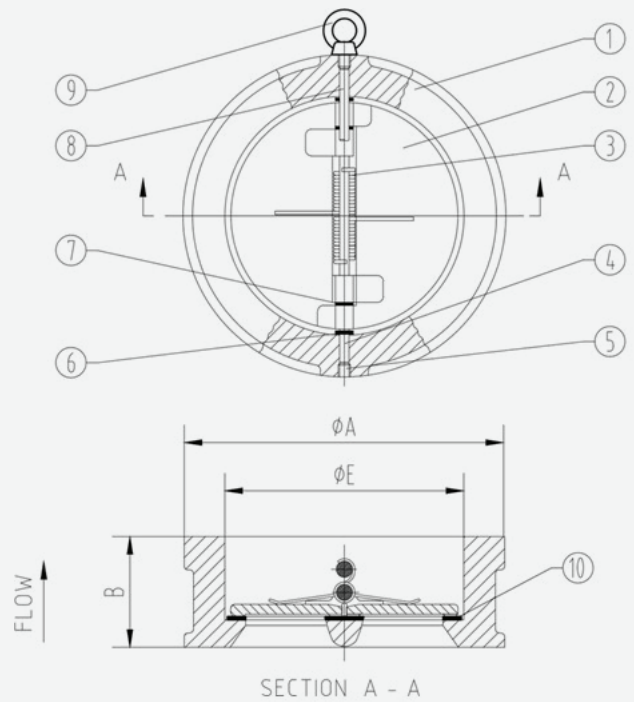
Suitable for:

Hot & Cold Water
Alcohols
Coolants
Acids & bases
Irrigation
Sewage
Potable Water

Available in:

DN50
DN65
DN80
DN100
DN125
DN150
DN200
DN250
DN300





Dimensions

SIZE		B	E	A
in	DN			AS2129 TABLE E
2	50	43	66	96
2 ½	65	46	81	109
3	80	64	95	128
4	100	64	118	160
5	125	70	146	192
6	150	76	171	213
8	200	89	225	270
10	250	114	266	334
12	300	114	311	380

Standard Materials of Parts

NO.	PART	MATERIAL
1	Body	Epoxy Coated Cast Iron Body
2	Plate	Double Door 316L Grade Stainless Steel Disc - CF8M
3	Spring	Stainless Steel
4	Hinge Pin	Stainless Steel
5	Plug	Carbon Steel
6	Body Bearing	PTFE
7	Spring Bearing	PTFE
8	Stop Pin	Stainless Steel
9	Eye Bolt	Carbon Steel
10	Body Seat	EPDM Liner rated to 120°C

Enquire now for your pricing 0800 387 677



**WATER
WORKS**

Smarter pipeline solutions

**Experience unparalleled
service...it works.**

e: info@waterworksnz.co.nz w: www.waterworksnz.co.nz

